

RETRACTABLE SCREEN WITH **42MM** SCREEN CASSETTE  
**INSTALLATION INSTRUCTIONS**  
(MAGNETIC LATCH DESIGN)

**TOOLS:**

Measuring Tape  
Phillips Screwdriver  
Drill with Assorted Bits  
Pencil

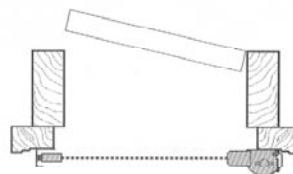
**CAUTION!**

This is not a safety screen and this product will not stop a child from falling.  
Use eye protection when installing your screen.

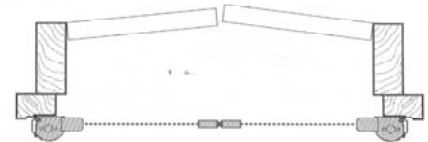
NOTE: The following illustrations are provided for instructional purposes only. The actual Shape of a specific component may vary depending upon the retractable screen system.

**1 Installation Methods**

**Single Screen Installation:** Install the Screen Cassette on either the right or left side.



SINGLE SCREEN

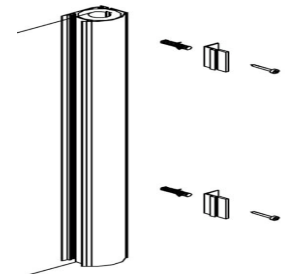


DOUBLE SCREEN

**Double Screen Installation:** Install both a right and a left Screen Cassette with one configured as the active screen and the other as the passive screen.

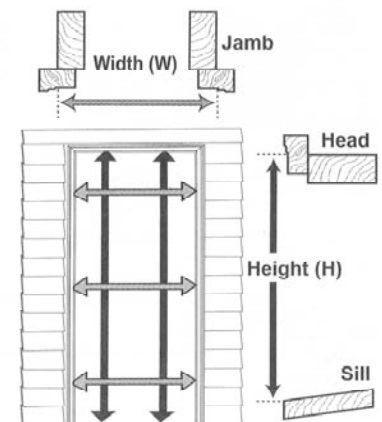
**2 Surface mounting**

**Outside/Surface Mounting the Screen:** Outside/Surface mount the screen using Surface Mount Clips.



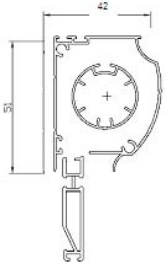
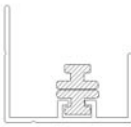
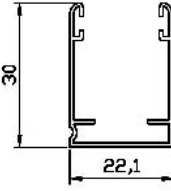
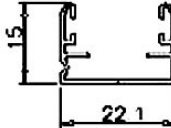
**3 Measuring For Your Screen**

Begin by identifying the area where the screen will be mounted. Measure the opening width and height in several places – see illustration. Record the SMALLEST width and height measurement.



**SINGLE SCREEN**



				Bag Containing Spring, Handles, End Caps and Other Parts
<b>Cassette</b>	<b>Side Rail with Magnet</b>	<b>Top Rail</b>	<b>Bottom Rail</b>	<b>Accessory Kit</b>

## 4 Cassette Installation

**NOTE:** It is critical that the Cassette and rails be installed square and plumb in the opening.

**Single Screens:** You may install the Cassette on either the right or left side depending upon preference.

**Double Screens:** You will install two Cassettes, one on either side of the entry.

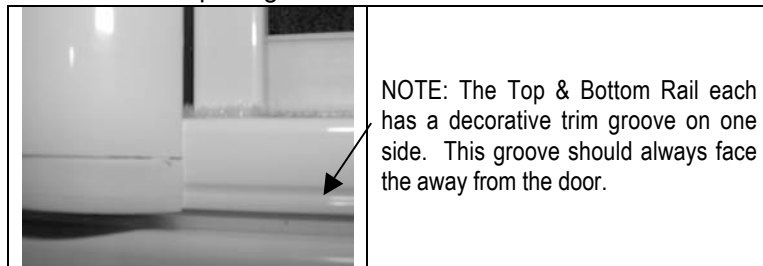
Position the surface mounting clips 18" from the top and bottom of the Cassette. Hold Cassette where it will rest on the entry and drill a 1/8" hole in the center of the slots in each of the surface mounting clips and secure with screws.

**Note:** For double screens, mount only one Cassette at this time; move to step 15.

## 5 Rail Installation

**Single Screens:** Slide the Bottom Rail fully onto the tab on the Cassette End Cap. Repeat this step for the Top Rail (the taller of the rails.)

Position the opposite edges of the bottom/Top Rails within the edges of the Side Rail and gently move the rails into position within the door opening.



**Double Screens:** Slide the Bottom Rail fully onto the tab on the End Cap of the installed Cassette. Repeat this step for the Top Rail (the taller of the rails.)

On the opposite end of the rails, insert the tabs of the loose Cassette into the bottom and then the Top Rail.

Move the Cassette and rails into position within the door opening and then clip the second Cassette into the Recess Mounting Clips.



## 6 Secure the Rails with Screws

### Single Screens:

Side Rail: Drill four 1/8" holes evenly spaced and secure the Side Rail with screws.

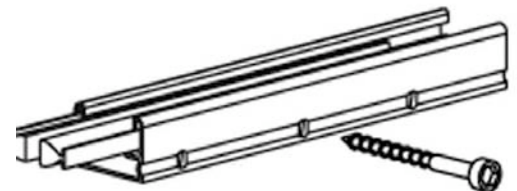
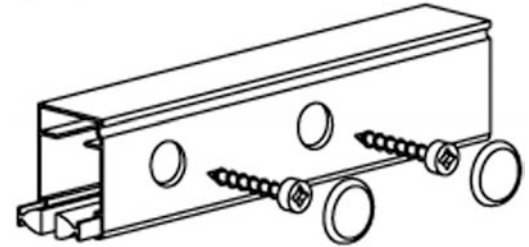
Top Rail: Drill two 3/8" holes evenly spaced through the face (one side only) of the rail. Using these holes as a guide, drill two 1/8" holes through the rear side of the rails. Using the larger 3/8" holes for access, insert screws into the 1/8" holes and secure the rails to the entry with screws.

Complete the installation by inserting the rubber Plugs into the 3/8" access holes.

Bottom Rail: Drill two 3/8" drainage holes in the Bottom Rail.

Using the decorative trim groove as a guide (staying underneath the glide platforms inside the rail), drill three 1/8" holes evenly spaced through both sides of the rail. Secure the rail to the entry with screws; do not over tighten.

Top Rail



Bottom Rail

### Double Screens:

Top Rail: Drill two 3/8" holes evenly spaced through the face (one side only) of the rail. Using these holes as a guide, drill two 1/8" holes through the rear side of the rails. Using the larger 3/8" holes for access, insert screws into the 1/8" holes and secure the rails to the entry with screws.

Complete the installation by inserting the rubber Plugs into the 3/8" access holes.

Bottom Rail: Drill two 3/8" drainage holes in the Bottom Rail. Using the decorative trim groove as a guide (staying underneath the glide platforms inside the rail), drill three 1/8" holes evenly spaced through both sides of the rail. Secure the rail to the entry with screws. Do not over tighten.

## 7 Slide Bolt Lock Installation

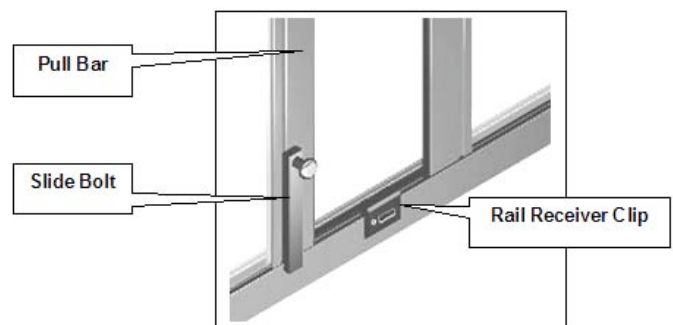
### **DOUBLE SCREENS ONLY**

Open the passive screen until the Magnet is approximately 1-1/2" beyond the center of the entry opening.

Position the Slide Bolt retainer on the Bottom Rail and align it with the Slide Bolt.

Drill 3/32" pilot holes into the Bottom Rail and secure with screws.

Repeat this for the Top Rail.



Lock Bolt and Lock Bolt Retainer

# TROUBLESHOOTING GUIDE

<p><b>IT IS DIFFICULT TO PULL THE RETRACTABLE SCREEN ACROSS THE OPENING OR THE RETRACTABLE SCREEN SEEMS TO BOUNCE AS IT OPENS &amp; CLOSES.</b></p>	<p>Check the top and bottom guides for screws that may not have been driven flush into the guides causing the screen to drag.</p> <p>Clean any debris from inside the bottom guide.</p> <p>Adjust the number of turns on the Spring mechanism. The more Spring tension the more resistance.</p> <p>Check to insure that <b>both End Cap Bushings (item "D")</b>, are fully inserted <b>inside Screen Tube</b>. A bouncing effect is a sign that one or more Bushings may not be correctly installed.</p> <p>Check to see if the Pull Bar is rubbing and needs to be trimmed down.</p> <p>Check to see that the Plastic Pull Bar End Cap is gliding on the glide rails within the bottom rail track and NOT underneath the glide rails within the screw chamber.</p>
<p><b>THE RETRACTABLE SCREEN BINDS OR WILL NOT RETRACT INTO THE CASSETTE HOUSING PROPERLY.</b></p>	<p>See above steps.</p> <p>Check to see if the insect pile is moving or binding in the top or Bottom Rails. Crimp ends to prevent movement.</p> <p>Make sure that the screen fabric has a clean cut and is not jagged; if so, trim so it is a straight cut.</p> <p>Check to see if either the housing or inner tube have been twisted, bent or otherwise damaged during shipping.</p>
<p><b>INSECT PILE MOVES IN THE TOP OR BOTTOM RAILS.</b></p>	<p>Ends of the insect pile and aluminum track need to be crimped together to prevent movement.</p>
<p><b>SCREEN HANDLES HIT OR RUB ON DOOR HARDWARE.</b></p>	<p>Raise or lower the handle so that it no longer strikes the door hardware.</p>
<p><b>THE DOOR BOTTOM THRESHOLD HAS A STEEP SLOPE CAUSING THE RETRACTABLE SCREEN BOTTOM GUIDE TO BE ON AN ANGLE WHEN MOUNTED.</b></p>	<p>The Bottom guide should always be as level as possible. Use wedge shims to adjust and for support until the Bottom Rail is level.</p>
<p><b>SCREEN IS TORN OR DAMAGED.</b></p>	<p>Replace the mesh using a screen refill kit.</p>
<p><b>THE MAGNETICS OF THE SCREEN DO NOT FULLY SEAL OR, THE SCREEN DOES NOT CLOSE EVENLY.</b></p>	<p>Clean the magnets using a mild soap and water.</p> <p>Clean any debris from inside the bottom guide. When not properly maintained, debris can accumulate and interfere with the operation of the screen as well as the screens closing and seal capabilities.</p>

AGI Group, Inc.  
[www.AGIgroup.com](http://www.AGIgroup.com)  
 8151 Blaikie Court  
 Sarasota, FL 34240  
 800-823-6677  
 941-377-5336  
 941-377-6516 Fax