



SCREENS FOR GARAGE DOORS • SCREENED PORCH AREAS • LARGER OPENINGS

INSTRUCTIONS FOR RECESSED MOUNT APPLICATIONS

46 mm Screen Cassette

BEFORE YOU BEGIN:

Determine which mounting application you desire: Recessed or Surface Mount.

CAUTION: READ BEFORE BEGINNING

- A. This is not a safety screen. This product will not stop a child from falling out.
- B. Use eye protection when installing to protect eyes from flying parts.
- C. Read complete installation instructions before beginning. Familiarize yourself with the parts description in Figure B.

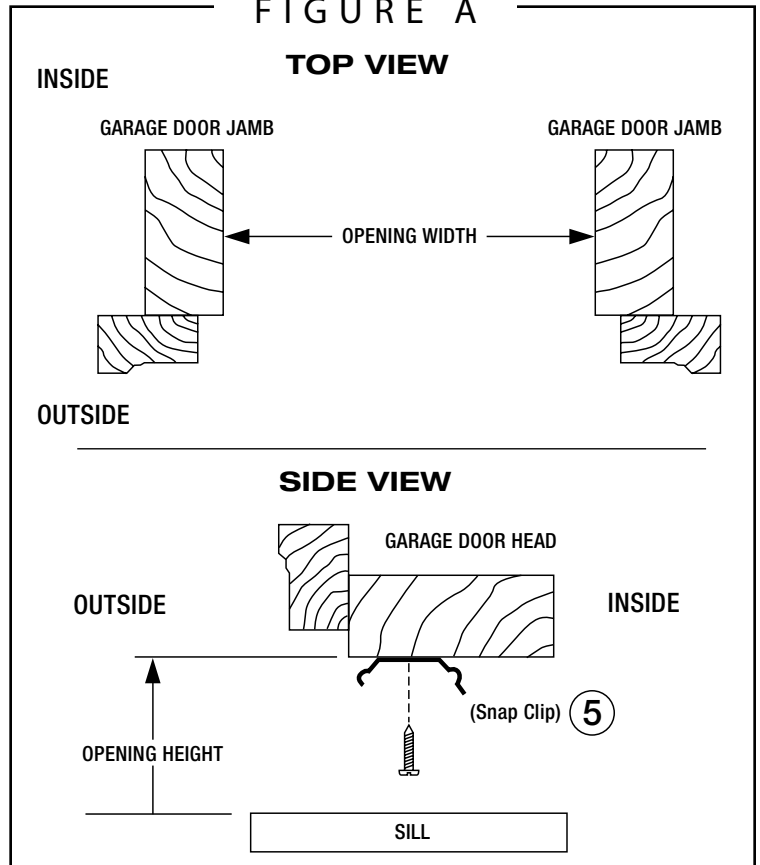
STEP 1 • Measuring

Determine the maximum opening height & width for mounting your screen. Refer to illustrations at right. Check for interference with garage door.

TOOLS NEEDED:

- Phillips screwdriver
- Measuring tape
- Needle nose pliers
- Square or miter box
- Hacksaw or power miter saw
- Utility knife
- Marking pencil or pen
- Drill and 1/8" drill bit

FIGURE A



INSTRUCTIONS FOR RECESSED MOUNT APPLICATIONS

46 mm Screen Cassette

STEP 2 • Mounting the Cassette

Mount the cassette snap clips (5) to the inside head of opening as shown (Figure A, side view). When installed, the clips should be centered above the cassette. Install the screw into the center of the slot to allow front to back adjustment (see Figure A). Snap the cassette (A) into place. Secure the cassette in place by screwing endcaps (1 & 2) to door jamb. **NOTE:** the clips lower the cassette down into the opening 1/4". The same 1/4" gap should be left above each end cap to avoid bowing the cassette.

STEP 3 • Installing Side Rails

Slide both outside rails (C) onto the tabs protruding from the cassette caps (1 & 2). Attach to jamb with screws

provided. Press inside rails (B) into outside rails (C) until they are evenly seated (detail A). Optional Pull Bar Locks (9) may be attached if desired to help hold pull bar closer to ground on uneven floors.

STEP 4 • Chain Lock

Position chain lock (3) in an easy-to-reach location below the cassette. Note the spring in the cassette is for tension only. You will need to raise and lower the screen by using the chain. **CAUTION: This chain should be kept out of the reach of children at all times.**

STEP 5 • Handle

Attach handle (8) to pull bar using the supplied screws.

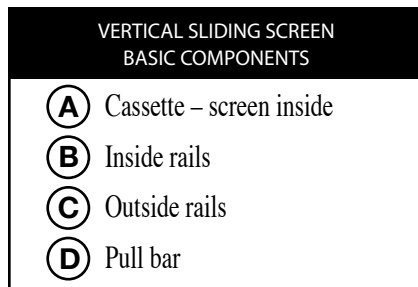
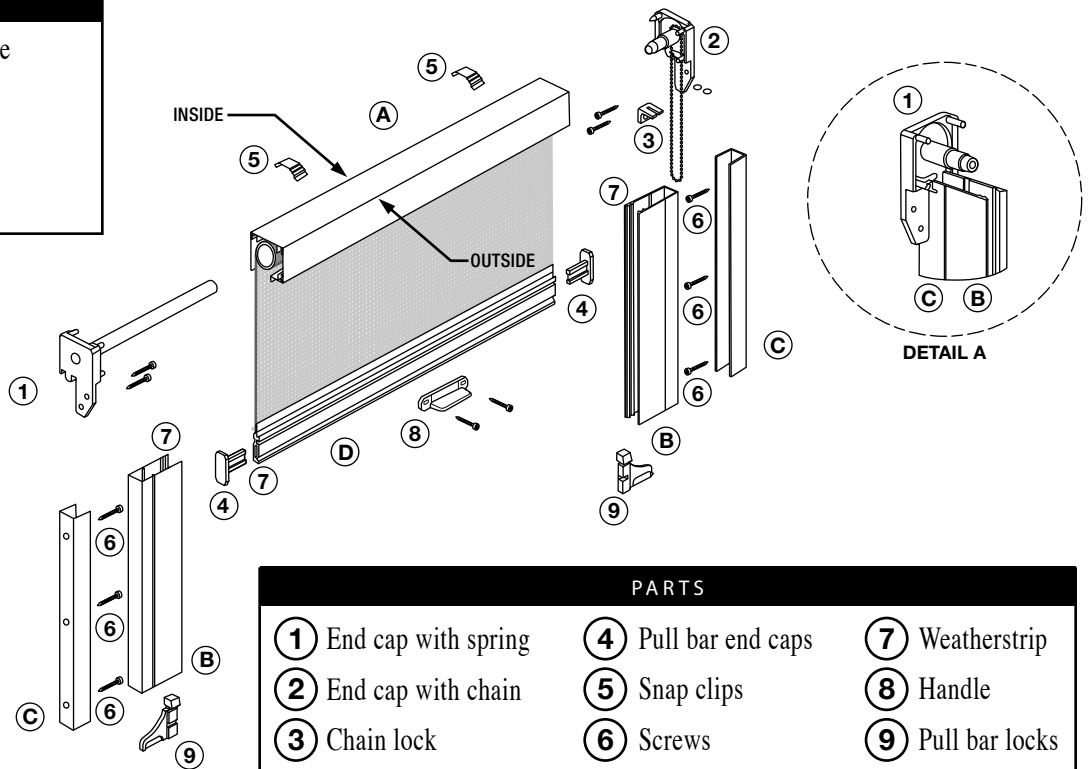


FIGURE B



OPTIONS

- PVC bulb seal is available (in place of the pile weatherstrip) for use on the lead edge of the pull bar (part # 00-02220-0-5).
- Decorative stiffener profile for use on one or both sides of the pull bar. This profile is attractive and it adds stability and ballast which will enhance the performance of larger screens (part # 01-06210).

PARTS

- | | | |
|--------------------------------|------------------------------|---------------------------|
| (1) End cap with spring | (4) Pull bar end caps | (7) Weatherstrip |
| (2) End cap with chain | (5) Snap clips | (8) Handle |
| (3) Chain lock | (6) Screws | (9) Pull bar locks |

TROUBLESHOOTING GUIDE

Difficult to pull across the opening.	Check side rails as the screws may not have been driven flush into the inside rails. See steps above. Check to see if the weatherstrip pile is binding in the inside rails.
Screen binds or will not retract into the casing properly.	NOTE: Spring is an assist mechanism. You may need to push the screen completely closed. Ends of the brush pile and aluminum track need to be crimped together to prevent movement.
Brush pile moves in the side guides.	Replace cassette through dealer. They will need to know model, size and color of your system.
Screen is torn.	Insert back corner of cassette into clip first, then rotate it from back to front.
Cannot get cassette to snap into clips.	Pull the screen all the way down to bottom of opening. This will help the screen realign itself.
Screen does not retract evenly.	



SCREENS FOR GARAGE DOORS • SCREENED PORCH AREAS • LARGER OPENINGS

INSTRUCTIONS FOR SURFACE MOUNT APPLICATIONS

46 mm Screen Cassette

BEFORE YOU BEGIN:

Determine which mounting application you desire: Recessed or Surface Mount.

CAUTION: READ BEFORE BEGINNING

- A. This is not a safety screen. This product will not stop a child from falling out.
- B. Use eye protection when installing to protect eyes from flying parts.
- C. Read complete installation instructions before beginning. Familiarize yourself with the parts description in Figure B.

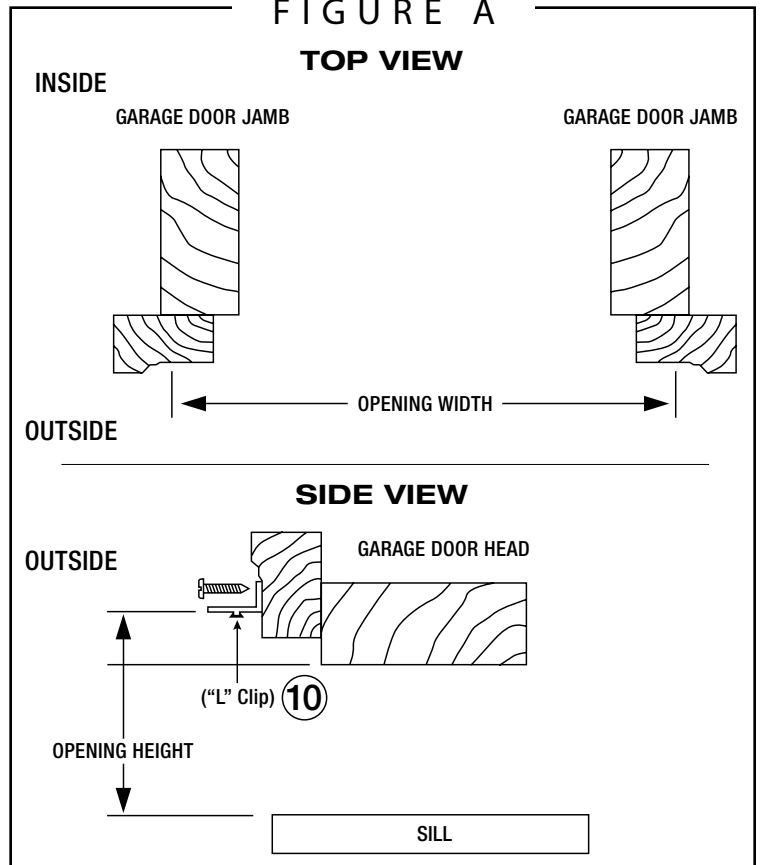
STEP 1 • Measuring

Determine the maximum opening height & width for mounting your screen. Refer to illustrations at right. Check for interference with garage door.

TOOLS NEEDED:

- Phillips screwdriver
- Needle nose pliers
- Hacksaw or power miter saw
- Marking pencil or pen
- Measuring tape
- Square or miter box
- Utility knife
- Drill and 1/8" drill bit

FIGURE A



INSTRUCTIONS FOR SURFACE MOUNT APPLICATIONS

46 mm Screen Cassette

STEP 2 • Mounting the Cassette

Slide the surface mount 'L' clips (10) into the top of the cassette (Figure A, side view). The clips should be evenly spaced between garage door jambs. Make sure cassette is level and then screw clips in place. **NOTE:** It is recommended to put 4 'L' clips in the 16' screens and 2 'L' clips for 8' to 10' screens.

STEP 3 • Installing Side Rails

Slide side inside rails (B) onto the tabs protruding from the cassette caps (1 & 2). Use an 1/8" drill bit and first drill through both sides of the rails where it is to be fastened. Next, using a 3/8" bit, drill through the outside face only. This will allow you to snap the screw hole caps (11) in

place. Square and attach rails with screws provided. Install screw caps. Optional Pull Bar Locks (9) may be attached if desired to help hold pull bar closer to ground on uneven floors.

STEP 4 • Chain Lock

Position chain lock (3) in an easy-to-reach location below the cassette. Note the spring in the cassette is for tension only. You will need to raise and lower the screen by using the chain. **CAUTION: This chain should be kept out of the reach of children at all times.**

STEP 5 • Handle

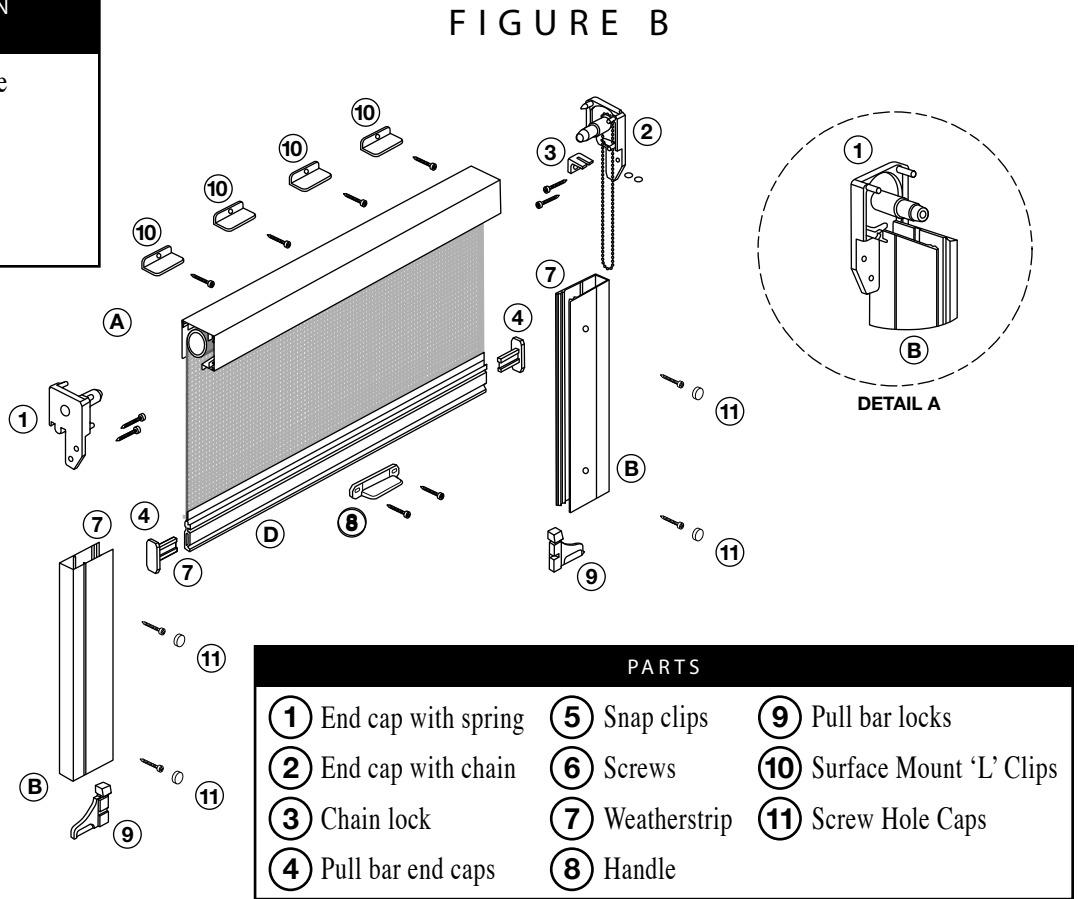
Attach handle (8) to pull bar using the supplied screws.

**VERTICAL SLIDING SCREEN
BASIC COMPONENTS**

- (A) Cassette – screen inside
- (B) Inside rails
- (C) Outside rails
- (D) Pull bar

OPTIONS

- PVC bulb seal is available (in place of the pile weatherstrip) for use on the lead edge of the pull bar (part # 00-02220-0-5).
- Decorative stiffener profile for use on one or both sides of the pull bar. This profile is attractive and it adds stability and ballast which will enhance the performance of larger screens (part # 01-06210).



TROUBLESHOOTING GUIDE

Difficult to pull across the opening.	Check side rails as the screws may not have been driven flush into the inside rails. See steps above. Check to see if the weatherstrip pile is binding in the inside rails.
Screen binds or will not retract into the casing properly.	NOTE: Spring is an assist mechanism. You may need to push the screen completely closed. Ends of the brush pile and aluminum track need to be crimped together to prevent movement.
Brush pile moves in the side guides.	Replace cassette through dealer. They will need to know model, size and color of your system.
Screen is torn.	Pull the screen all the way down to bottom of opening. This will help the screen realign itself.
Screen does not retract evenly.	