



VERTICAL WINDOW RETRACTABLE SCREEN INSTALLATION INSTRUCTION

(System42 Screen Cassette with 30mm Side Rails)

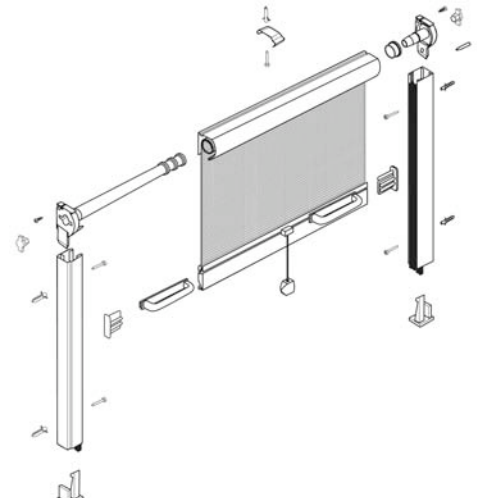
Measuring and installation of your new window retractable screen is quick and simple. A typical installation involves mounting the screen housing in the recesses of the window using the recess mounting clip(s) provided. Typically this results in the screen housing simply resting within the natural profile of the window frame where it is non-invasive and virtually unnoticed.

Begin by identifying the location where the screen cassette housing will rest. Measure the tight dimensions of the opening and record your measurements.

Dimensions:

Cassette Housing: _____

Side Guide Rails: _____



Housing Length	Spring Tension
24"	6-8 Turns
30"	12-13 Turns
36"	13-14 Turns
42"	14-15 Turns
48"	15-16 Turns
54"	16-17 Turns
60"	17-18 Turns
66"	18-19 Turns
72"	19-20 Turns

INSTALLATION

NOTE: It is critical that the Cassette and rails be installed square and plumb in the opening. If needed use shims to square screen components in the opening

1 Installing the Cassette

1-A Recess Installation: Use screws to install one or two Recess Mounting Clips to the window frame (Fig. 8). Snap the Cassette onto the mounting clips (Fig. 9).

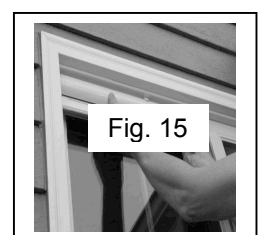
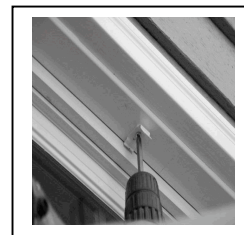


Fig. 9

Fig. 15

Fig. 8

1-B Surface Installation: Position the cassette, insert screws in L-Clips to secure the screen cassette to the frame (Fig. 10).

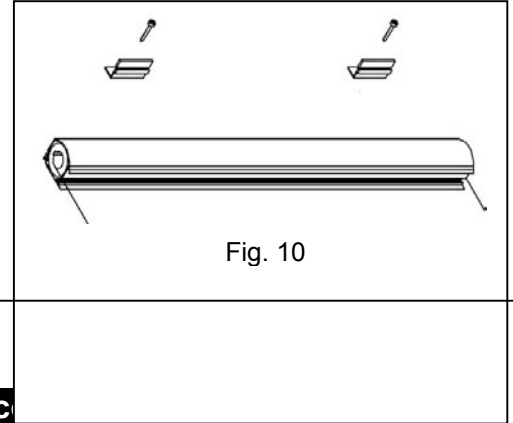


Fig. 10

2 Positioning The Rails

Fig. 11



screws.

Fig. 12



2-A Rec

and insert the bottom internal lock/end caps (Fig. 14). **Be certain to insert the end caps on the correct side rail so that the latch engages the pull bar as shown in Fig. 15.** Next, insert both side rails onto protruding tab of screen cassette housing end caps (Fig. 11). Align rails plum into final position on window and fasten to frame (Fig. 12) using

When installing the side guide rail it is helpful to press and slide the convenient plastic pile opener (Fig. 13) into the side guide rail to temporarily separate the insect pile which will allow you to better see and work within; this is useful when installing the screws. Remove and discard the plastic pile opener when finished.

Pile Opener

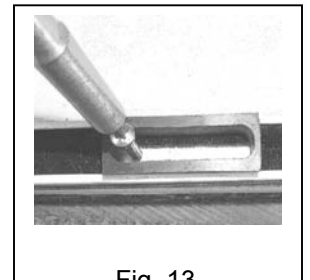
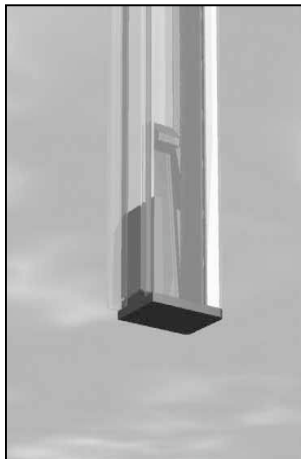
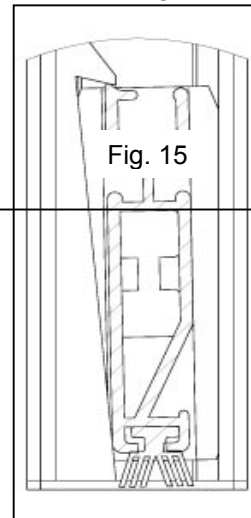


Fig. 13



VERTICAL WINDOW RETRACTABLE SCREEN

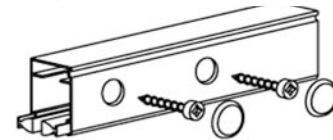
Fig. 14



2-B: Surface Installation:

Side Guide Rail: Drill 3/8" holes evenly spaced through the face (one side only) of the rail (Fig. 16). Using these holes as a guide, drill 1/8" holes through the rear side of the rails. Using the larger 3/8" holes for access, insert screws into the 1/8" holes and secure the rails to the entry with screws. Complete the installation by inserting the rubber Plugs into access holes.

Surface Mounting Rail
Fig. 16



TOOLS:

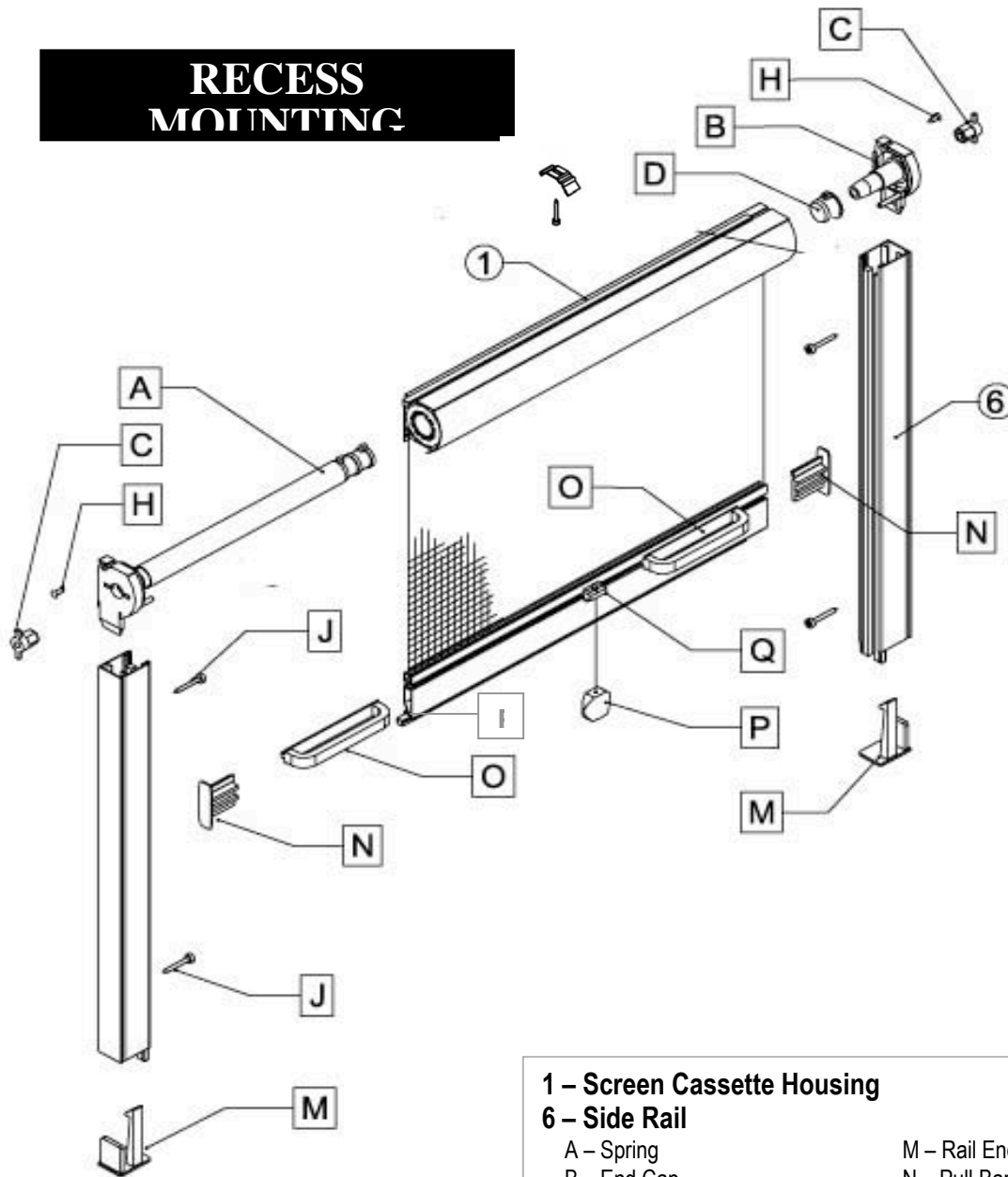
- A hand-help metal cutting saw or a 10" or larger chop saw equipped with 70 (or more), tooth Carbide tip blade for non-ferrous metals.
- Drill with appropriate tips , Drill bits – Soft Hammer – Tape Measure

OPERATION: During use the internal lock mechanism will automatically catch once the rollerscreen is fully extended. To retract the screen simply grasp the pull rail handle and provide a slight twisting action. Rotation of the pull rail is all that is needed to disengage the internal lock and retract the rollerscreen.

NOTE: Instruction illustrations are provided for instructional purposes only. The actual shape of a specific component may vary depending upon the retractable screen system.

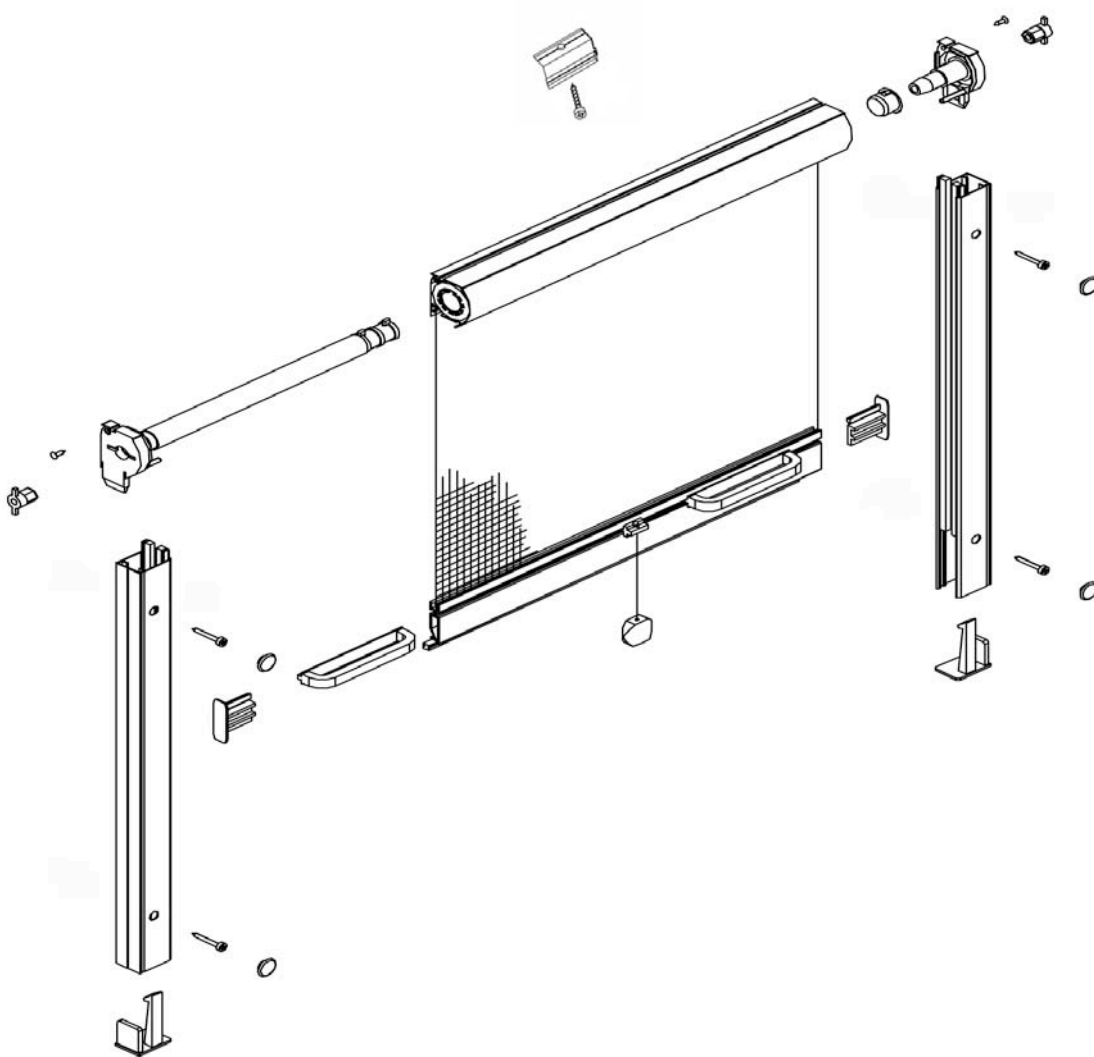
CAUTION! This is not a safety or security screen. This product will not stop a child from falling, provide security or, protect your belongings. Please use eye protection when cutting and installing your screen.

**RECESS
MOUNTING**



- | | |
|------------------------------------|-------------------------------------|
| 1 – Screen Cassette Housing | |
| 6 – Side Rail | |
| A – Spring | M – Rail End Cap with Internal Lock |
| B – End Cap | N – Pull Bar Cap |
| C – End Cap Plug | O – Handle |
| D – Bushing | P – Pull Cord Knob |
| H – End Cap Screw | Q – Pull Cord Carrier |
| J – Side Rails Screw | R – Bug Pile Seal |

**SURFACE
MOUNTING**



www.Screen-Time.com
Technical Assistance Call **1-800-823-6677**